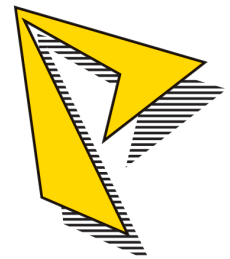


**PASS STANZTECHNIK AG**

*Precision in Perfection*

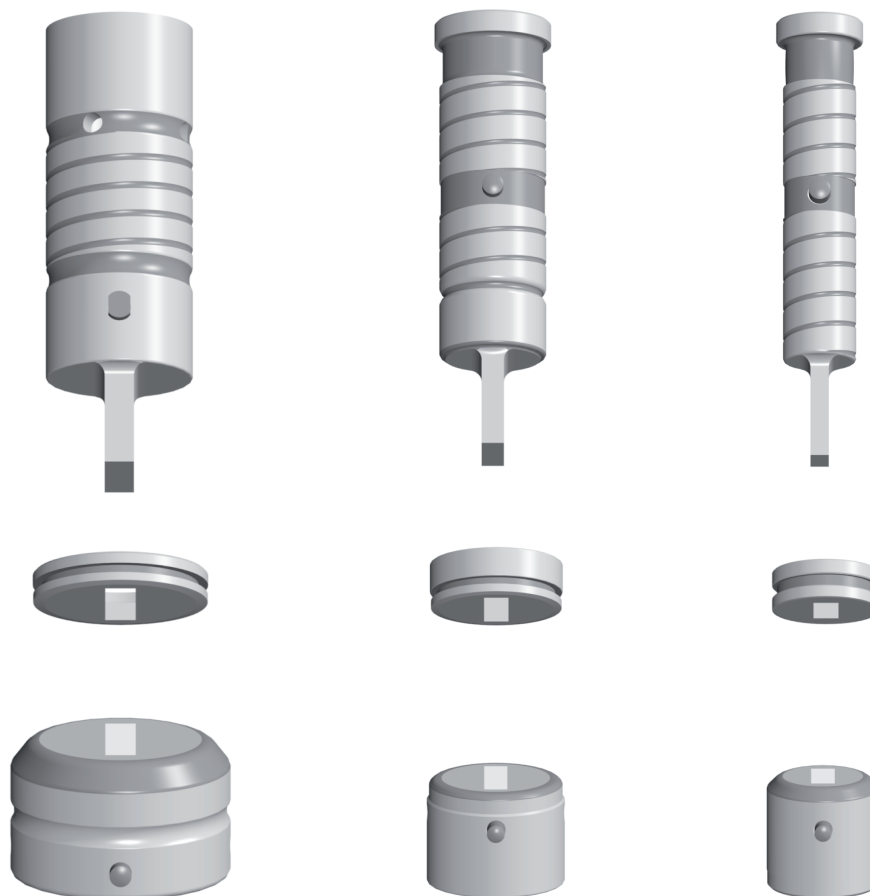


# Product Catalog 12/2008-A

Tooling system

# EUROMAC

## Multitool





System

# EUROMAC XMTE10-16

Pos.-No. Part.-No. Price in €

### Punch\*

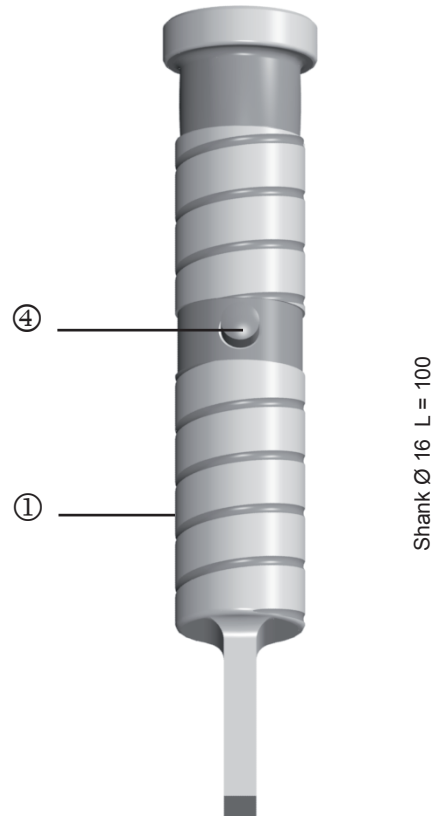
Round	1	413101
Square	1+4	413102
Rectangular	1+4	413103
Oblong	1+4	413104
*O.D. Ground Special Shapes	1+4	41310G
* EDM required Special Shapes	1+4	41310E

### Stripper

Round	2	415101
Square	2	415102
Rectangular	2	415103
Oblong	2	415104
*O.D. Ground Special Shapes	2	41510G
* EDM required Special Shapes	2	41510E

### Die

Round	3	414101
Square	3+5	414102
Rectangular	3+5	414103
Oblong	3+5	414104
*O.D. Ground Special Shapes	3+5	41410G
* EDM required Special Shapes	3+5	41410E



### Additional tool costs:

Punch	TICN Coating
	T-MAX Coating
	WT-Shear
	DOWT-Shear
	2PT-Shear
Die	4PT-Shear
	reinforced version

\*suitable up to s = 6 mm



System

# EUROMAC XMTE6-24

Pos.-No. Part.-No. Price in €

## Punch\*

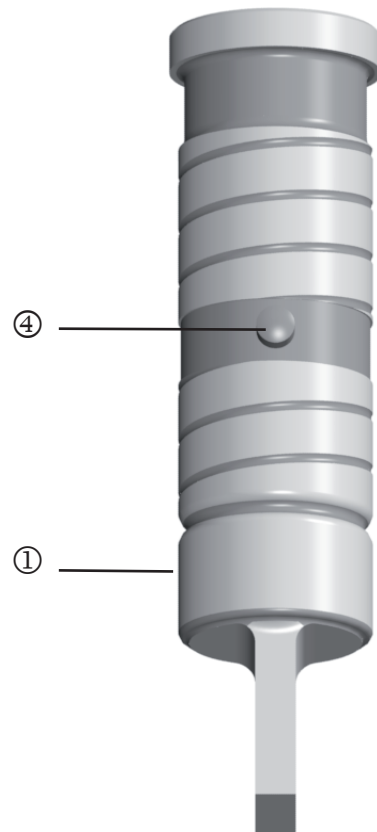
Round	1	413041
Square	1+4	413042
Rectangular	1+4	413043
Oblong	1+4	413044
*O.D. Ground Special Shapes	1+4	41304G
* EDM required Special Shapes	1+4	41304E

## Stripper

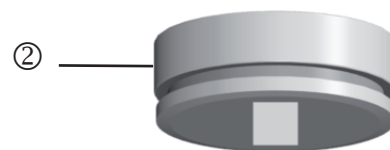
Round	2	415041
Square	2	415042
Rectangular	2	415043
Oblong	2	415044
*O.D. Ground Special Shapes	2	41504G
* EDM required Special Shapes	2	41504E

## Die

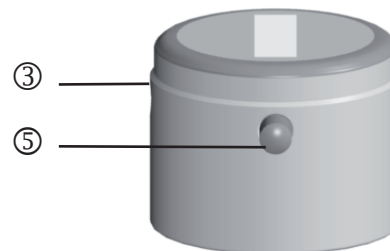
Round	3	414041
Square	3+5	414042
Rectangular	3+5	414043
Oblong	3+5	414044
*O.D. Ground Special Shapes	3+5	41404G
* EDM required Special Shapes	3+5	41404E



Shank Ø 24 L = 100



Outer Ø = 30  
Height = 10,5



Outer Ø = 31  
Height = 24

## Additional tool costs:

Punch	TICN Coating
	T-MAX Coating
	WT-Shear
	DOWT-Shear
	2PT-Shear
	4PT-Shear
Die	reinforced version

\*suitable up to s = 6 mm



System

# EUROMAC MTE4-31,75

Pos.-No. Part.-No. Price in €

## Punch\*

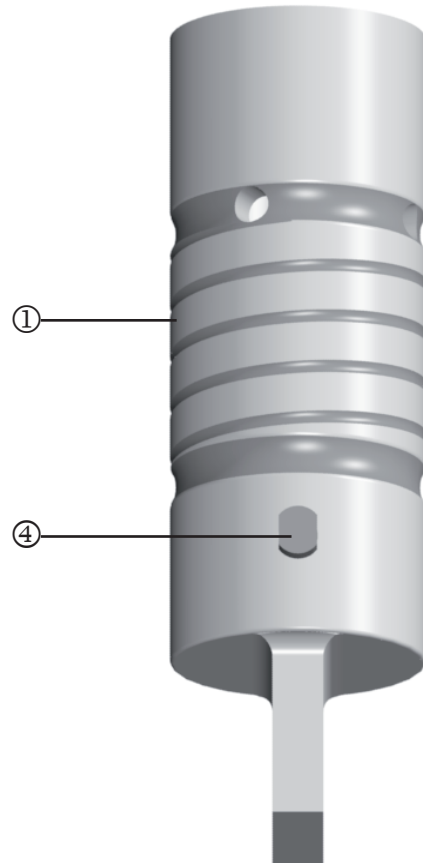
Round	1	413061
Square	1+4	413062
Rectangular	1+4	413063
Oblong	1+4	413064
*O.D. Ground Special Shapes	1+4	41306G
* EDM required Special Shapes	1+4	41306E

## Stripper

Round	2	415061
Square	2	415062
Rectangular	2	415063
Oblong	2	415064
*O.D. Ground Special Shapes	2	41506G
* EDM required Special Shapes	2	41506E

## Die

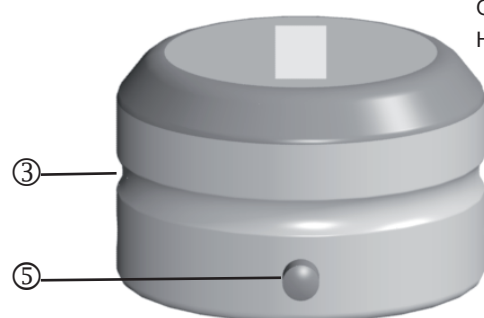
Round	3	414061
Square	3+5	414062
Rectangular	3+5	414063
Oblong	3+5	414064
*O.D. Ground Special Shapes	3+5	41406G
* EDM required Special Shapes	3+5	41406E



Shank Ø 31,75 L = 100,5



Outer Ø = 38  
Height = 6,9



Outer Ø = 47,62  
Height = 30

## Additional tool costs:

Punch	TICN Coating
	T-MAX Coating
	WT-Shear
	DOWT-Shear
	2PT-Shear
Die	4PT-Shear
	reinforced version

\*suitable up to s = 6 mm



System

# EUROMAC

## MTE 10-8

(Pos. 2/3/4/5/6/8/10)

	Pos.-No.	Part.-No.	Price in €
<b>Punch*</b>			
Round	1	413011	
Square	1	413012	
Rectangular	1	413013	
Oblong	1	413014	
*O.D. Ground Special Shapes	1	41301G	
* EDM required Special Shapes	1	41301E	

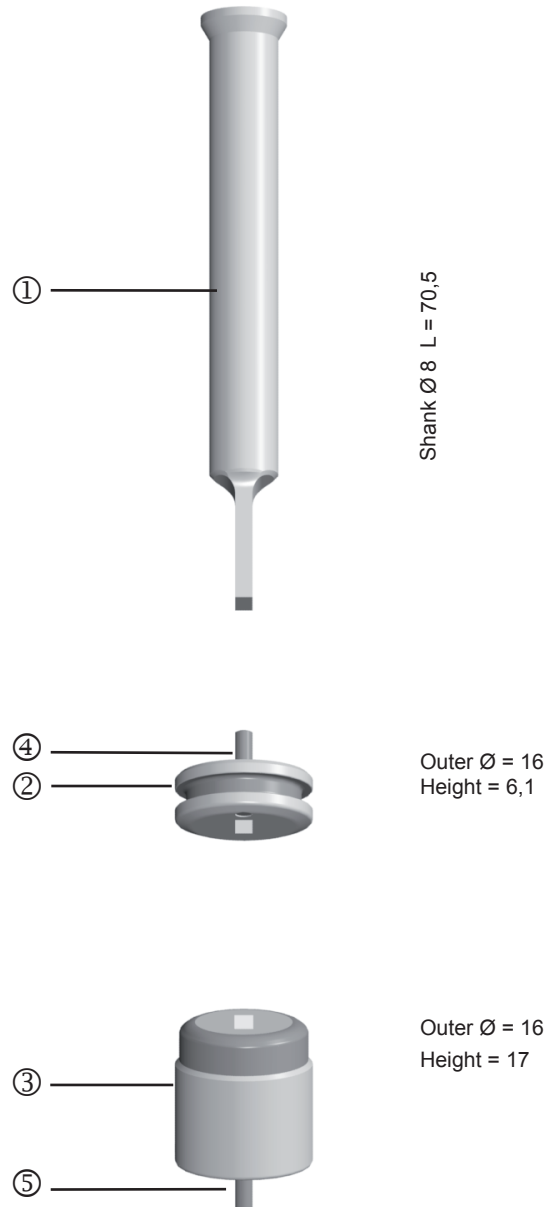
<b>Stripper</b>			
Round	2	415011	
Square	2+4	415012	
Rectangular	2+4	415013	
Oblong	2+4	415014	
*O.D. Ground Special Shapes	2+4	41501G	
* EDM required Special Shapes	2+4	41501E	

<b>Die</b>			
Round	3	414011	
Square	3+5	414012	
Rectangular	3+5	414013	
Oblong	3+5	414014	
*O.D. Ground Special Shapes	3+5	41401G	
* EDM required Special Shapes	3+5	41401E	

### Additional tool costs:

Punch	TICN Coating
	T-MAX Coating
	WT-Shear
	DOWT-Shear
	2PT-Shear
	4PT-Shear
Die	reinforced version

\*suitable up to s = 4 mm





System

# EUROMAC

## MTE 6-24

## MTE 10-24 (Pos. 1/7/9)

Pos.-No. Part.-No. Price in €

### Punch\*

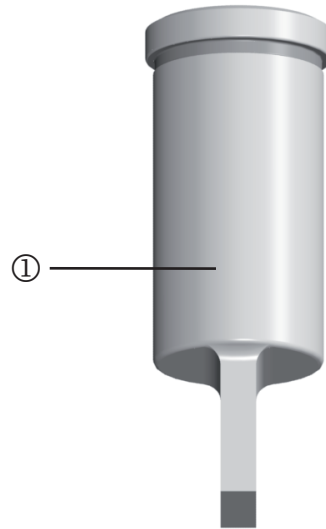
Round	1	413031
Square	1	413032
Rectangular	1	413033
Oblong	1	413034
*O.D. Ground Special Shapes	1	41303G
* EDM required Special Shapes	1	41303E

### Stripper

Round	2	415031
Square	2+4	415032
Rectangular	2+4	415033
Oblong	2+4	415034
*O.D. Ground Special Shapes	2+4	41503G
* EDM required Special Shapes	2+4	41503E

### Die

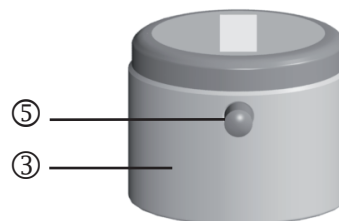
Round	3	414031
Square	3+5	414032
Rectangular	3+5	414033
Oblong	3+5	414034
*O.D. Ground Special Shapes	3+5	41403G
* EDM required Special Shapes	3+5	41403E



Shank Ø 24 L = 70,5



Outer Ø = 30  
Height = 10,5



Outer Ø = 31  
Height = 24

### Additional tool costs:

Punch	TICN Coating
	T-MAX Coating
	WT-Shear
	DOWT-Shear
	2PT-Shear
	4PT-Shear
Die	reinforced version

\*suitable up to s = 4 mm